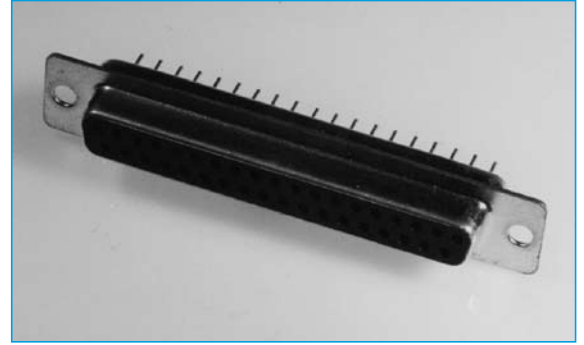


## D TYPE CONNECTORS LOW COST

- 9, 15, 25, 37 or 50 way
- Stamped & Formed Contact
- Selective Gold Plated Contacts
- Tin Plated Metal Housing
- Current Ratings - 5Amps
- Low Cost

## D CONNECTORS - PCB SOLDER PIN STRAIGHT



## SPECIFICATION

### Material:

**Insulator:** PBT +30% Glass Fibre  
UL94V-0

**Pin contacts:** Phosphor Bronze  
Gold Plated

**Shell:** Steel, SPCC  
Nickel and Tin Plated

### Electrical Data:

**Rated Voltage:** 350V AC

**Rated Current:** 5A

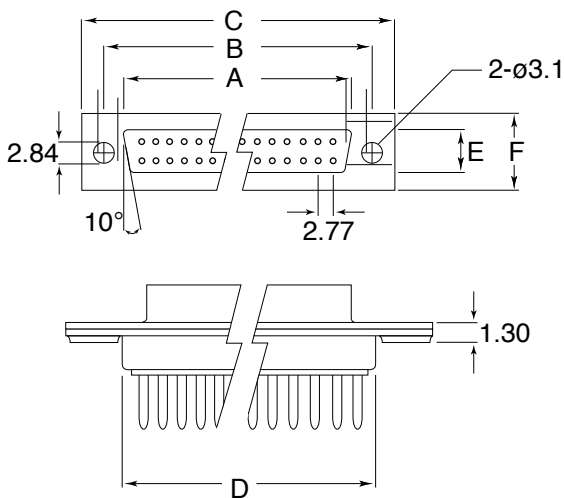
**Withstand Voltage:** 500V AC(rms)

**Insulation Resistance:** Over 1000 MΩ

**Contact Resistance:** 5 MΩ AT 1A

**Temperature:** -40°C to 100°C

## OUTLINE DRAWING

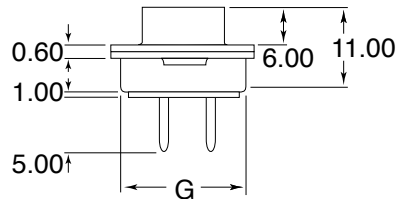


|        | A     | B     | C     | D     | E     | F     | G     |
|--------|-------|-------|-------|-------|-------|-------|-------|
| 9 WAY  | 16.90 | 25.00 | 30.80 | 19.30 | 8.10  | 12.50 | 10.70 |
| 15 WAY | 25.30 | 33.30 | 39.10 | 27.50 | 8.10  | 12.50 | 10.70 |
| 25 WAY | 39.00 | 47.00 | 53.00 | 41.30 | 8.10  | 12.50 | 10.70 |
| 37 WAY | 55.10 | 63.50 | 69.30 | 57.70 | 8.10  | 12.50 | 10.70 |
| 50 WAY | 52.80 | 61.10 | 66.90 | 55.30 | 11.10 | 15.40 | 13.60 |

Dimension - mm (Male)

|        | A     | B     | C     | D     | E     | F     | G     |
|--------|-------|-------|-------|-------|-------|-------|-------|
| 9 WAY  | 16.30 | 25.00 | 30.80 | 19.30 | 7.90  | 12.50 | 10.70 |
| 15 WAY | 24.70 | 33.30 | 39.10 | 27.50 | 7.90  | 12.50 | 10.70 |
| 25 WAY | 38.40 | 47.00 | 53.00 | 41.30 | 7.90  | 12.50 | 10.70 |
| 37 WAY | 54.80 | 63.50 | 69.30 | 57.70 | 7.90  | 12.50 | 10.70 |
| 50 WAY | 52.40 | 61.10 | 66.90 | 55.30 | 10.80 | 15.40 | 13.60 |

Dimension - mm (Female)



## ORDERING INFORMATION

| DBC                 | SD                          | M                                    | SS                   | 09  | S                          |
|---------------------|-----------------------------|--------------------------------------|----------------------|---|----------------------------|
| Dubilier Connectors | Series                      | Contact Type                         | Contact Style        | N° of Ways  | Contact plating            |
|                     | SD = Stamped & Formed Pin D | M = Male(plug)<br>F = Female(socket) | SS = Solder Straight | 09 = 9 ways<br>15 = 15 ways<br>25 = 25 ways<br>37 = 37 ways<br>50 = 50 ways | S = Selective Gold Plating |